

# MAPER BALL VALVES EN 1.4404 SHORT WELDING PIPE

PRESSURE RANGE | DN 10-50 PN 40/64  
MAX TEMPERATURE | PTFE 200C/PTFE-C 250C

MODEL	HLH-T
DN-AREA	10-50
BODY	AISI316L
BALL/SHAFT	AISI316L
HANDLE	AISI316
HEXAGON NUT	A4-80
SEALING	PTFE/PTFE-C
LOCKABLE	HLH-T/L

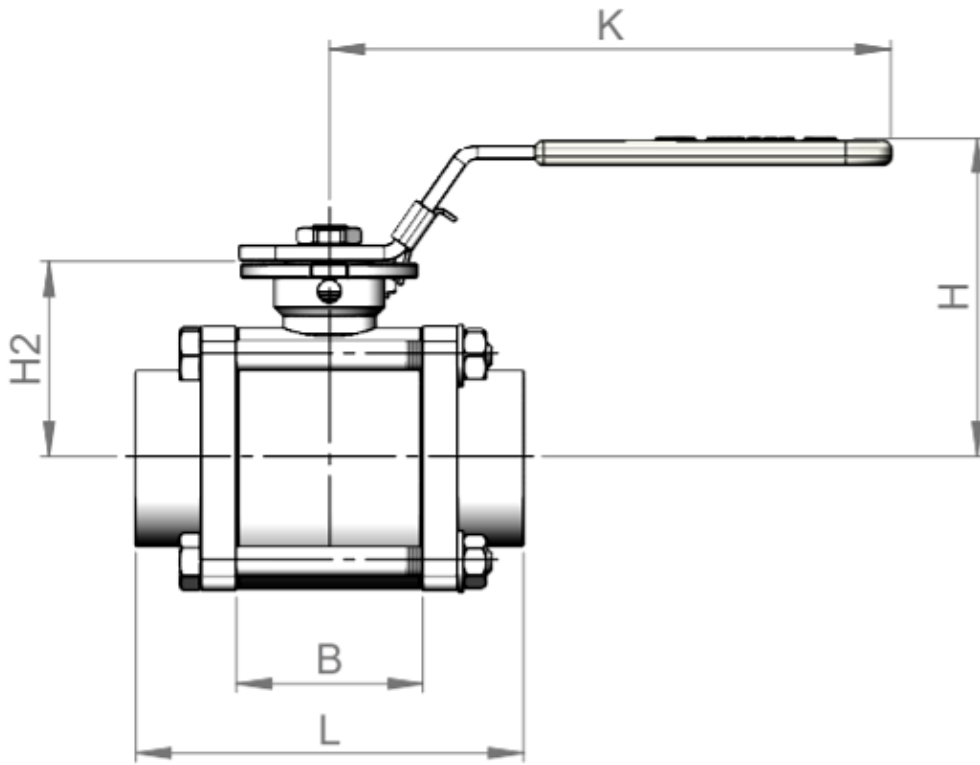


[DOWNLOAD 3D-PICTURES AT MAPER.FI](http://MAPER.FI)

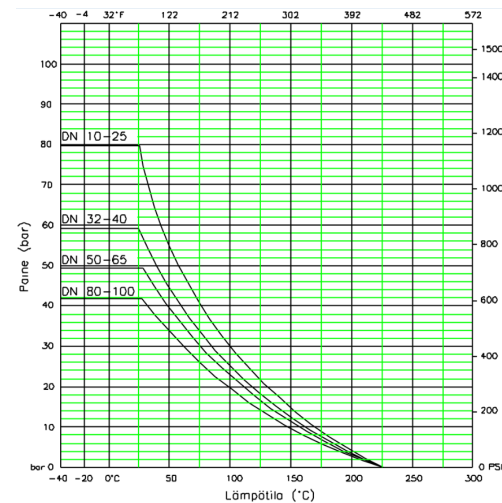
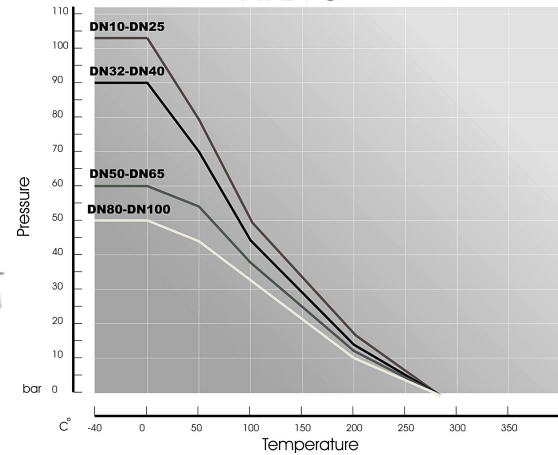
## CONTACT US

Kuukuja 12, 33420 Tampere  
+358 40 744 9730  
[maper@maper.fi](mailto:maper@maper.fi)  
[www.maper.fi/en/](http://www.maper.fi/en/)

# DN 10-50



Seat pressure / temperature  
PTFE+C



DN	10	15	20	25	32	40	50
KG	0,6 kg	0,6 kg	0,9 kg	1,3 kg	2,1 kg	2,8 kg	3,5 kg
L	100	100	110	90	96	110	134
B	30,7	30,7	34,1	39,8	48,4	56,0	64,0
H	69	69	82	85	99	104	110
H2	38	38	51	54	56	61,5	67,3
K	158	158	158	158	194	194	194

Unit: mm

## CONTACT US

Kuukuja 12, 33420 Tampere  
+358 40 744 9730  
maper@maper.fi  
[www.maper.fi/en/](http://www.maper.fi/en/)

