

MAPER BALL VALVES EN 1.4404 SHORT WELDING PIPE

PRESSURE RANGE | DN 65-100 PN 16/40
MAX TEMPERATURE | PTFE 200C/PTFE-C 250C

MODEL	HLH-T
DN-AREA	65-100
BODY	AISI316L
BALL/SHAFT	AISI316L
HANDLE	AISI316
HEXAGON NUT	A4-80
SEALING	PTFE/PTFE-C
LOCKABLE	HLH-T/L



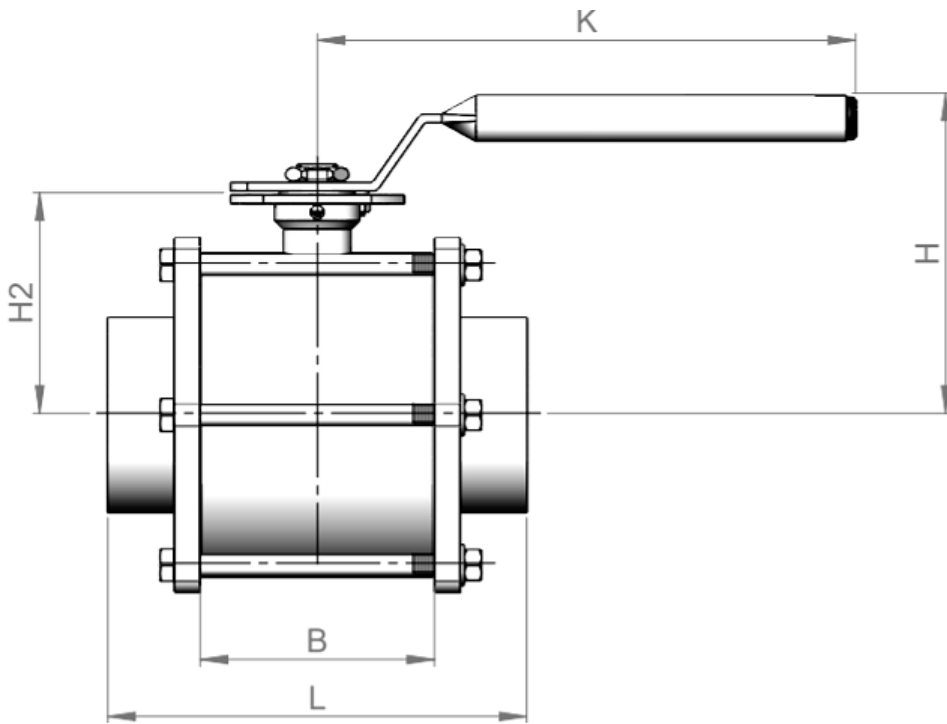
[DOWNLOAD 3D-PICTURES AT MAPER.FI](http://MAPER.FI)

CONTACT US

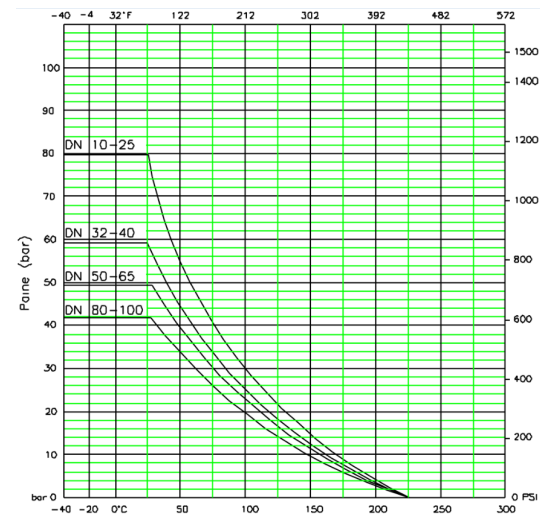
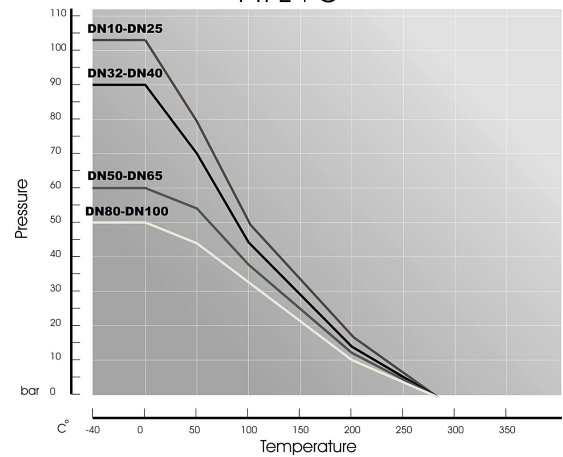
Kuukuja 12, 33420 Tampere
+358 40 744 9730
maper@maper.fi
www.maper.fi/en/



DN 65-100



Seat pressure / temperature
PTFE+C



DN	65	80	100	
KG	8,2 kg	10,2 kg	19,2 kg	
L	200	210	246	
B	88,2	103	137	
H	160	170	180	
H2	100	109	129	
K	266	316	316	Unit: mm

CONTACT US

Kuukuja 12, 33420 Tampere
+358 40 744 9730
maper@maper.fi
www.maper.fi/en/

