

MAPER BALL VALVES EN 1.4404 LONG WELDING PIPE

PRESSURE RANGE | DN 10-50 PN 40/64
MAX TEMPERATURE | PTFE 200C/PTFE-C 250C

MODEL	HPH
DN-AREA	10-50
BODY	AISI316L
BALL/SHAFT	AISI316L
HANDLE	AISI316
HEXAGON NUT	A4-80
SEALING	PTFE/PTFE-C
LOCKABLE	HPH/L



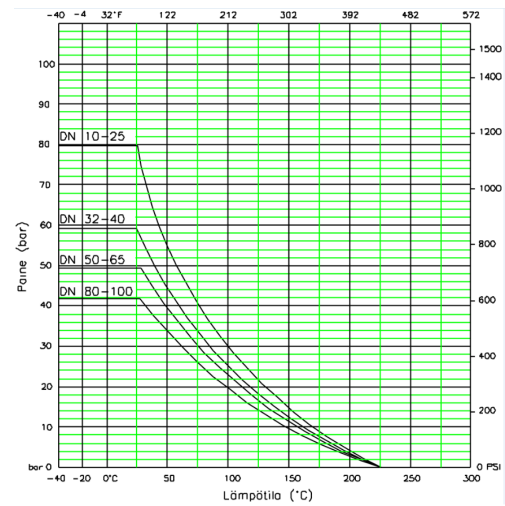
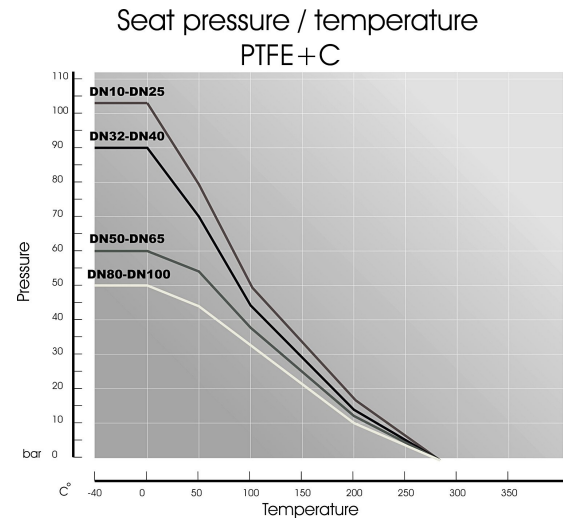
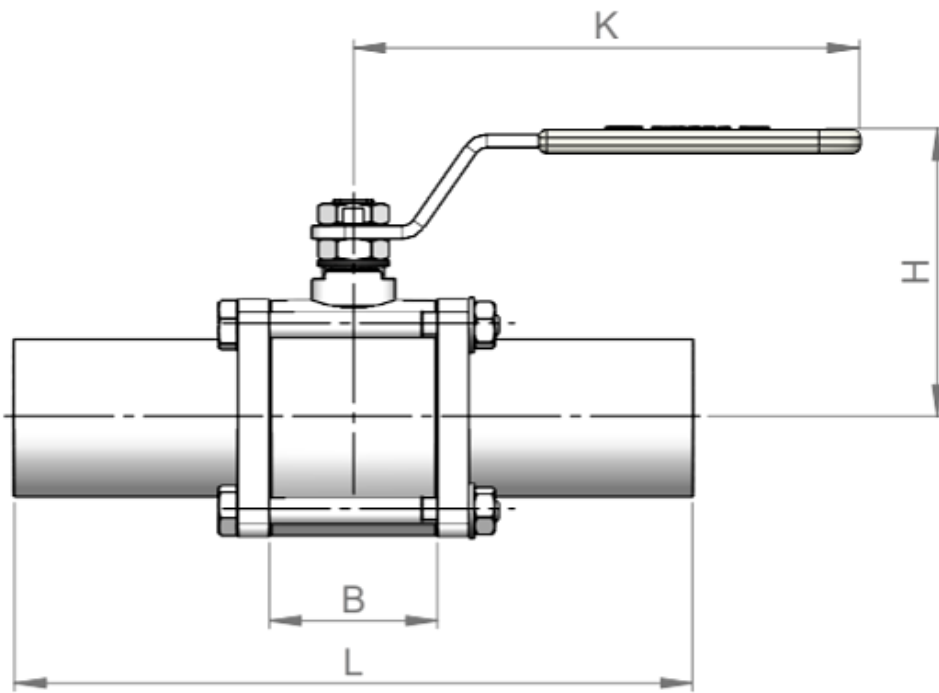
[DOWNLOAD 3D-PICTURES AT MAPER.FI](http://MAPER.FI)

CONTACT US

Kuukuja 12, 33420 Tampere
+358 40 744 9730
maper@maper.fi
www.maper.fi/en/



DN 10-50



DN	10	15	20	25	32	40	50
KG	0,7 kg	0,8 kg	1,1 kg	1,5 kg	2,1 kg	2,9 kg	3,5 kg
L	210	210	230	230	230	250	260
B	30,7	30,7	34,1	39,8	48,4	56,0	64,0
H	67	67	72	75	99	104	110
K	158	158	158	158	194	194	194

Unit: mm

CONTACT US

Kuukuja 12, 33420 Tampere
+358 40 744 9730
maper@maper.fi
www.maper.fi/en/

