

MAPER BALL VALVES EN 1.4404 LONG WELDING PIPE

PRESSURE RANGE | DN 65-100 PN 16/40
MAX TEMPERATURE | PTFE 200C/PTFE-C 250C

MODEL	HPH-T
DN-AREA	65-100
BODY	AISI316L
BALL/SHAFT	AISI316L
HANDLE	AISI316
HEXAGON NUT	A4-80
SEALING	PTFE/PTFE-C
LOCKABLE	HPH-T/L

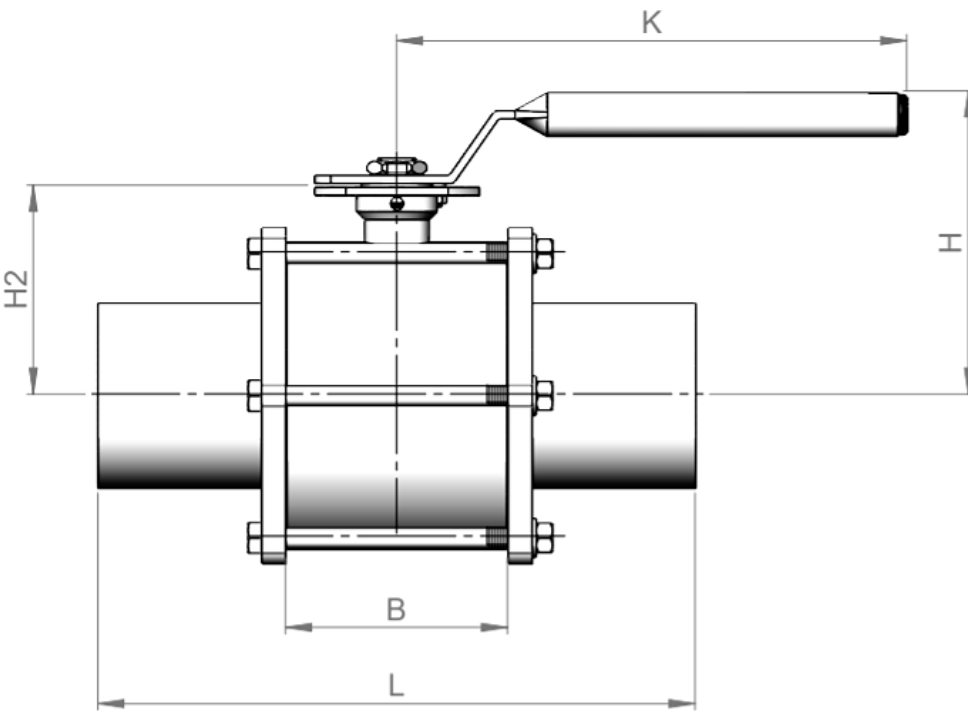


[DOWNLOAD 3D-PICTURES AT MAPER.FI](http://MAPER.FI)

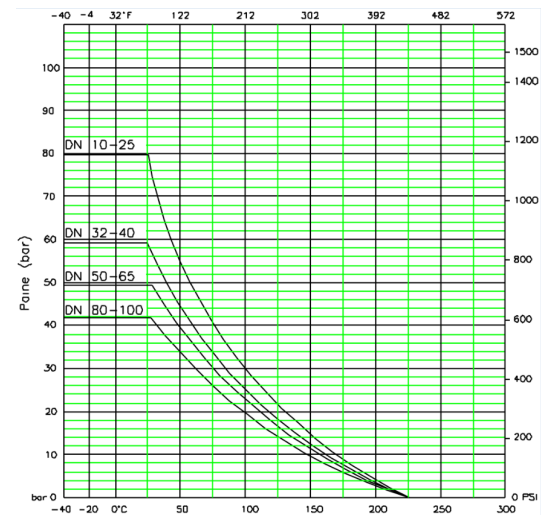
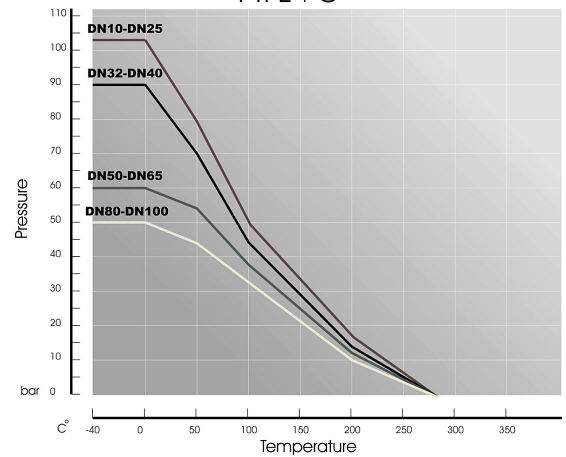
CONTACT US

Kuukuja 12, 33420 Tampere
+358 40 744 9730
maper@maper.fi
www.maper.fi/en/

DN 65-100



Seat pressure / temperature
PTFE+C



DN	65	80	100
KG	9,5 kg	12,5 kg	23,0 kg
L	290	330	370
B	88,2	103	137
H	160	170	180
H2	100	109	129
K	266	316	316

Unit: mm

CONTACT US

Kuukuja 12, 33420 Tampere

+358 40 744 9730

maper@maper.fi

www.maper.fi/en/

