

# MAPER BALL VALVES S3355 FLANGE

PRESSURE RANGE | DN 65-100 PN 16/40  
MAX TEMPERATURE | PTFE 200C/PTFE-C 250C

MODEL	TL
DN-AREA	65-100
BODY	AISI316L
BALL/SHAFT	AISI316L
HANDLE	GALVANIZED STEEL
HEXAGON NUT	GALVANIZED STEEL
SEALING	PTFE/PTFE-C
LOCKABLE	TL/L



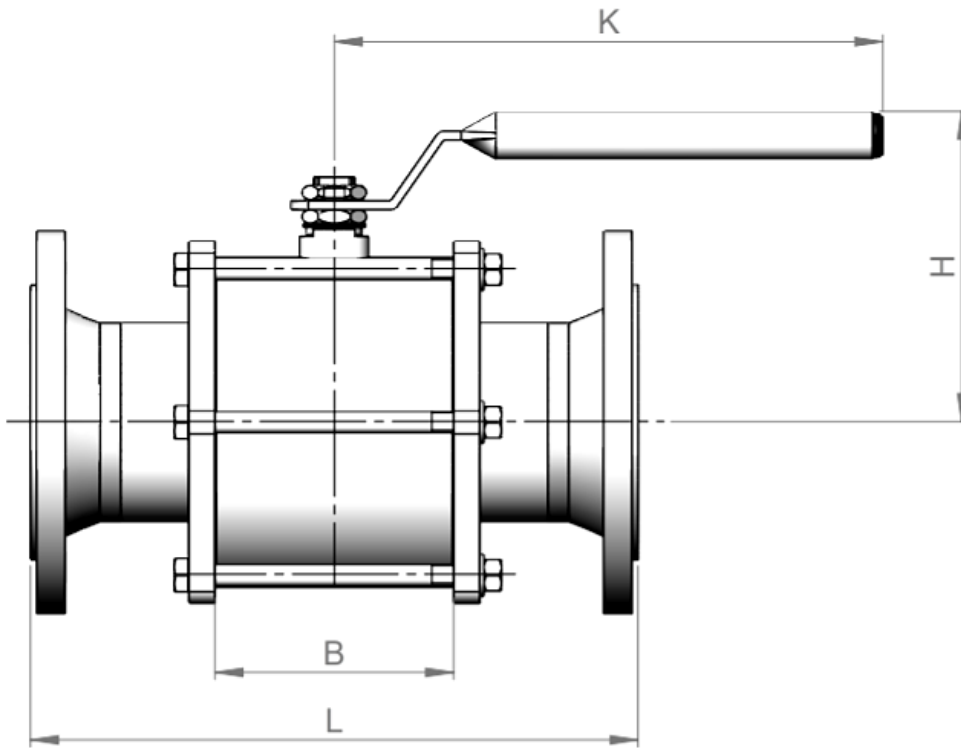
[DOWNLOAD 3D-PICTURES AT MAPER.FI](http://www.maper.fi)

## CONTACT US

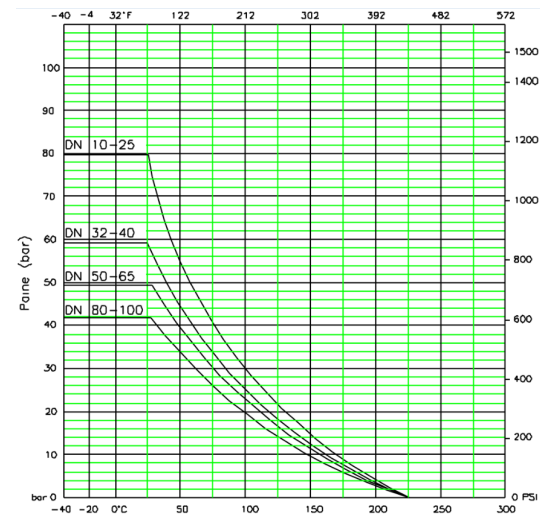
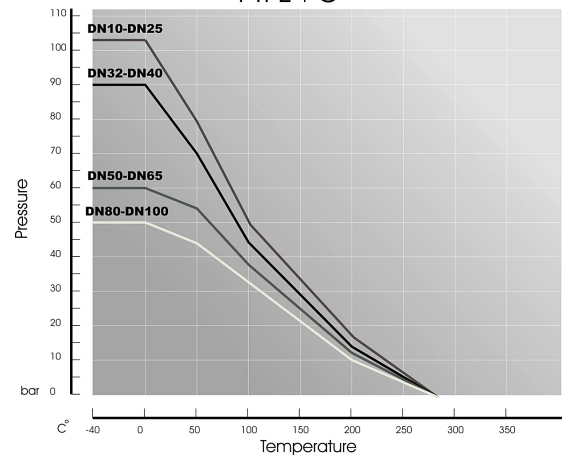
Kuukuja 12, 33420 Tampere  
+358 40 744 9730  
[maper@maper.fi](mailto:maper@maper.fi)  
[www.maper.fi/en/](http://www.maper.fi/en/)



# DN 65-100



Seat pressure / temperature  
PTFE+C



DN	65	80	100
KG	14,3 kg	17,9 kg	28,4 kg
L	290	310	350
B	88,2	103	137
H	149	158	178
K	266	316	316

Unit: mm

## CONTACT US

Kuukuja 12, 33420 Tampere  
+358 40 744 9730  
maper@maper.fi  
[www.maper.fi/en/](http://www.maper.fi/en/)

