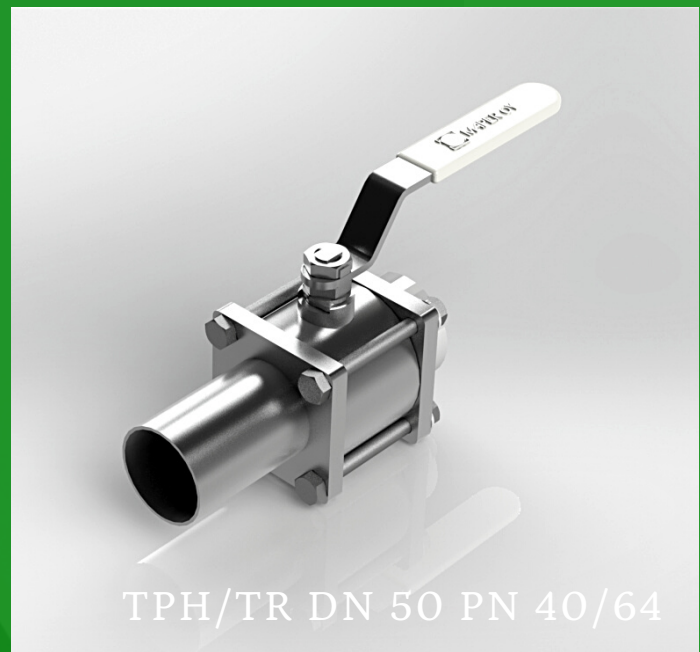


MAPER BALL VALVES S3355 WELDING PIPE / THREAD

PRESSURE RANGE | DN 10-50 PN 40/64
MAX TEMPERATURE | PTFE 200C/PTFE-C 250C

MODEL	TPH/TR
DN-AREA	10-50
BODY	AISI316L
BALL/SHAFT	AISI316L
HANDLE	GALVANIZED STEEL
HEXAGON NUT	GALVANIZED STEEL
SEALING	PTFE/PTFE-C
LOCKABLE	TPH/TR / L

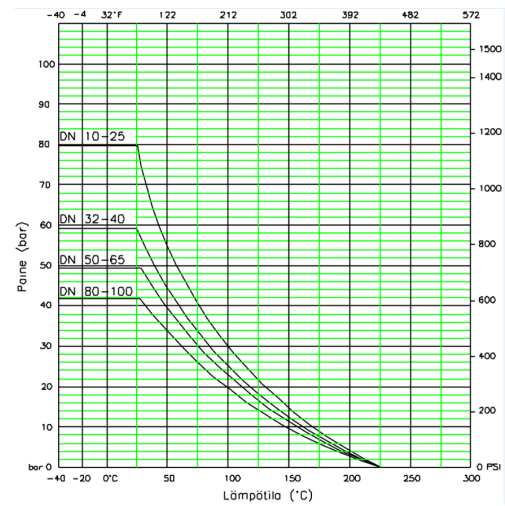
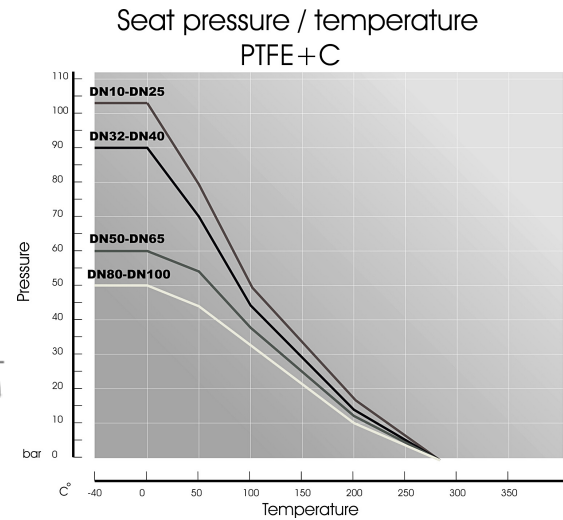
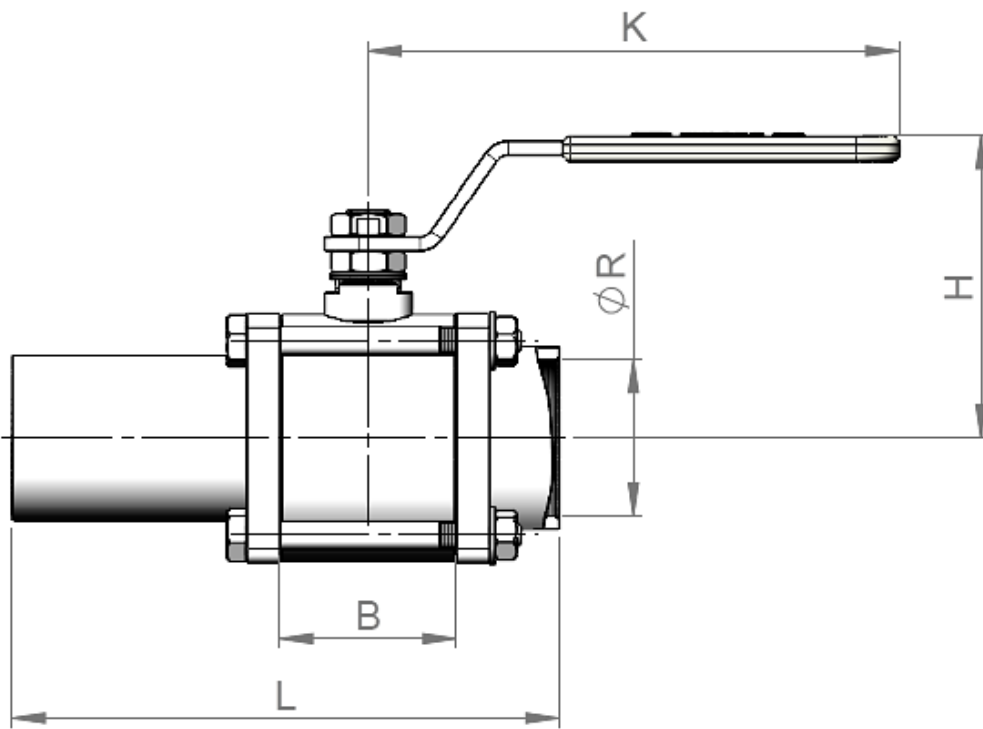


[DOWNLOAD 3D-PICTURES AT MAPER.FI](http://MAPER.FI)

CONTACT US

Kuukuja 12, 33420 Tampere
+358 40 744 9730
maper@maper.fi
www.maper.fi/en/

DN 10-50



DN	10	15	20	25	32	40	50
KG	0,7 kg	0,7 kg	1,0 kg	1,3 kg	2,1 kg	2,9 kg	3,5 kg
L	143	143	155	160	171	186	200
B	30,7	30,7	34,1	39,8	48,4	56,0	64,0
H	67	67	72	75	99	104	110
K	158	158	158	158	194	194	194
R	3/8"	1/2"	3/4"	1"	1 1/4"	1 1/2"	2"

Unit: mm

CONTACT US

Kuukuja 12, 33420 Tampere
 +358 40 744 9730
 maper@maper.fi
 www.maper.fi/en/

