

MAPER BOTTOM VALVES EN 1.4404

PRESSURE RANGE | DN 50-80 PN 16/40
MAX TEMPERATURE | PTFE 200C/PTFE-C 250C

MODEL	AMC 1
DN-AREA	50-80
BODY	AISI316L
BALL/SHAFT	AISI316L
HANDLE	AISI316
HEXAGON NUT	A4-80
SEALING	PTFE/PTFE-C



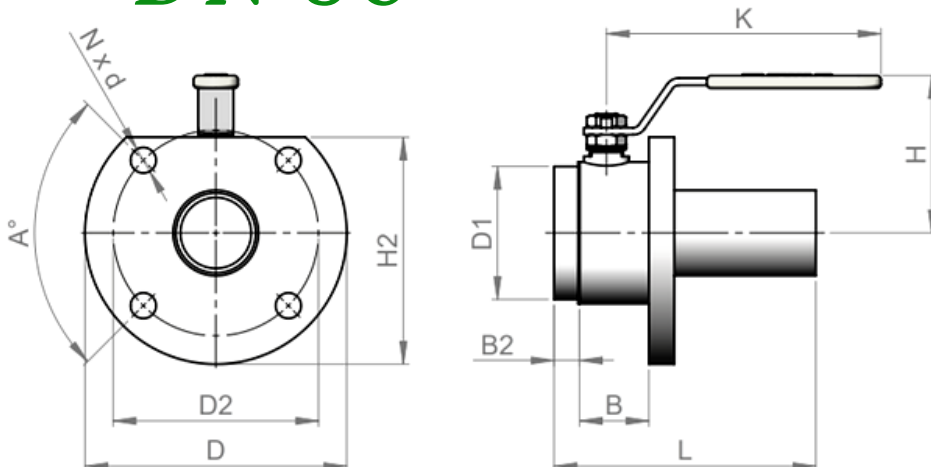
[DOWNLOAD 3D-PICTURES AT MAPER.FI](https://www.maper.fi)

CONTACT US

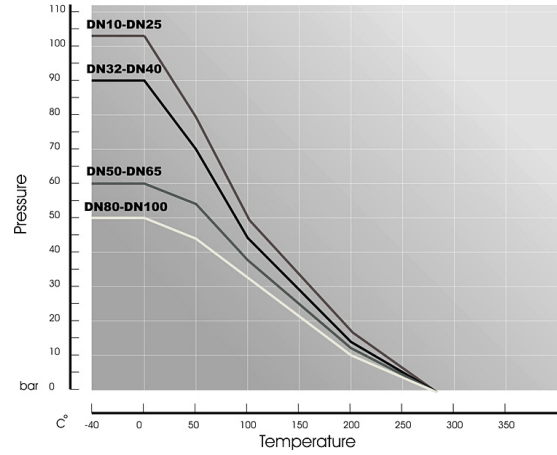
Kuukuja 12, 33420 Tampere
+358 40 867 3440
myynti@maper.fi
<https://www.maper.fi/en/>



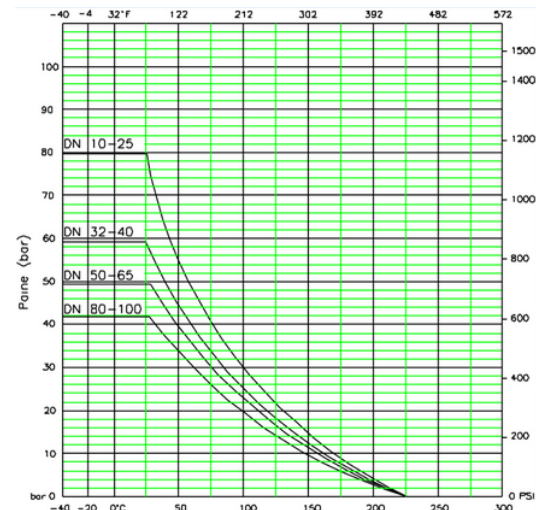
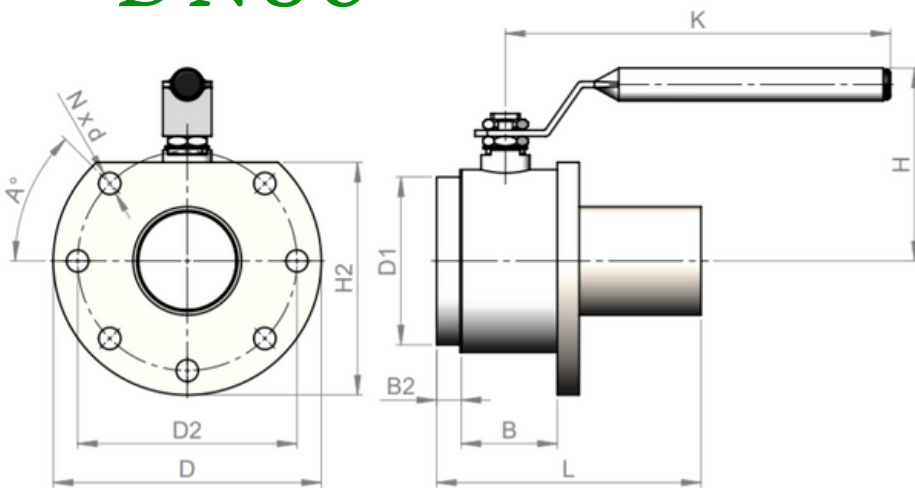
DN 50



Seat pressure / temperature
PTFE+C



DN 80



DN	L	B	B2	H	H2	D	D1	D2	K	N X D	A	KG
50	185	49	18	110	160	185	93,8	145	194	4x18	90	5,9 kg
80	217	78,8	20,2	160	191	220	137,8	180	316	7x18	45	10,5 kg

Unit: mm

CONTACT US

Kuukuja 12, 33420 Tampere
+358 40 867 3440
myynti@maper.fi
<https://www.maper.fi/en/>

