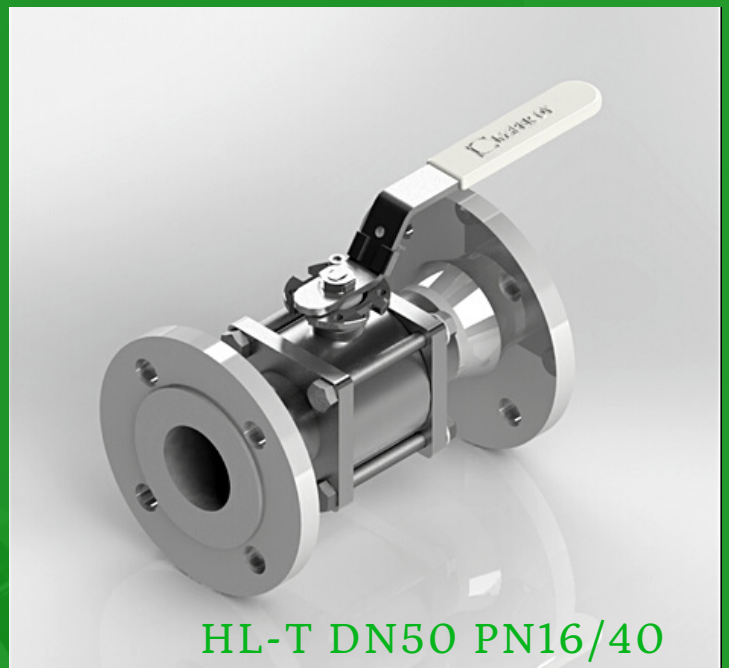


MAPER BALL VALVES FLANGE CONNECTION EN 1.4404

PRESSURE RANGE | DN 10-50 PN 16/40
MAX TEMPERATURE | PTFE 200C/PTFE-C 250C

| | |
|-------------|-------------|
| MODEL | HL-T |
| DN-AREA | 10-50 |
| BODY | AISI316L |
| BALL/SHAFT | AISI316L |
| HANDLE | AISI316 |
| HEXAGON NUT | A4-80 |
| SEALING | PTFE/PTFE-C |
| LOCKABLE | HL-T/L |



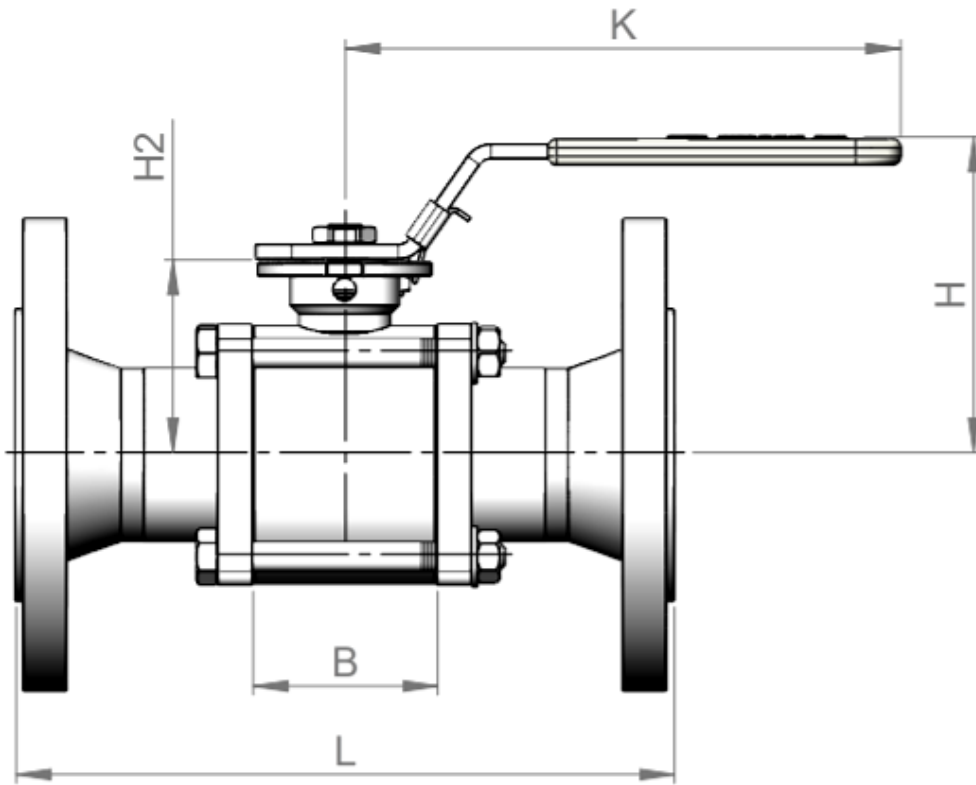
[DOWNLOAD 3D-PICTURES AT MAPER.FI](https://www.maper.fi)

CONTACT US

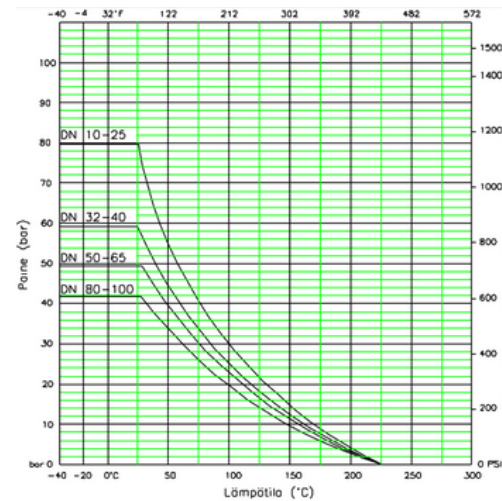
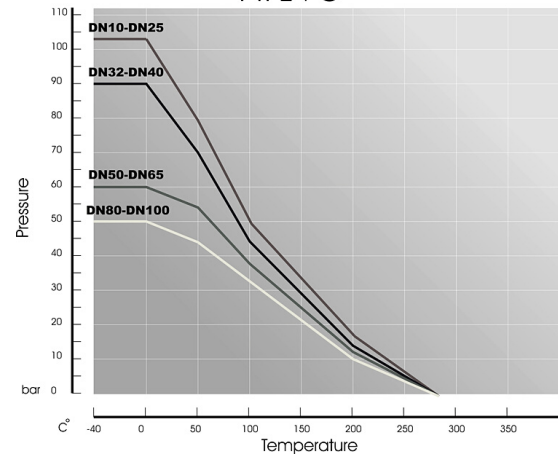
Kuukuja 12, 33420 Tampere
+358 40 867 3440
myynti@maper.fi
<https://www.maper.fi/en/>



DN 10-50



Seat pressure / temperature
PTFE+C



| DN | 10 | 15 | 20 | 25 | 32 | 40 | 50 |
|----|--------|--------|--------|--------|--------|--------|--------|
| KG | 1,8 kg | 1,9 kg | 2,8 kg | 3,5 kg | 5,5 kg | 6,5 kg | 8,6 kg |
| L | 120 | 130 | 150 | 160 | 180 | 200 | 230 |
| B | 30,7 | 30,7 | 34,1 | 39,8 | 48,4 | 56,0 | 64,0 |
| H | 69 | 69 | 82 | 85 | 99 | 104 | 110 |
| H2 | 38 | 38 | 51 | 54 | 59 | 61,5 | 67,3 |
| K | 158 | 158 | 158 | 158 | 194 | 194 | 194 |

Unit: mm

CONTACT US

Kuukuja 12, 33420 Tampere
+358 40 867 3440
myynti@maper.fi
<https://www.maper.fi/en/>

