

MAPER BALL VALVES FLANGE CONNECTION EN 1.4404

PRESSURE RANGE | DN 65-100 PN 16/40
MAX TEMPERATURE | PTFE 200C/PTFE-C 250C

| | |
|-------------|-------------|
| MODEL | HL-T |
| DN-AREA | 65-100 |
| BODY | AISI316L |
| BALL/SHAFT | AISI316L |
| HANDLE | AISI316 |
| HEXAGON NUT | A4-80 |
| SEALING | PTFE/PTFE-C |
| LOCKABLE | HL-T/L |

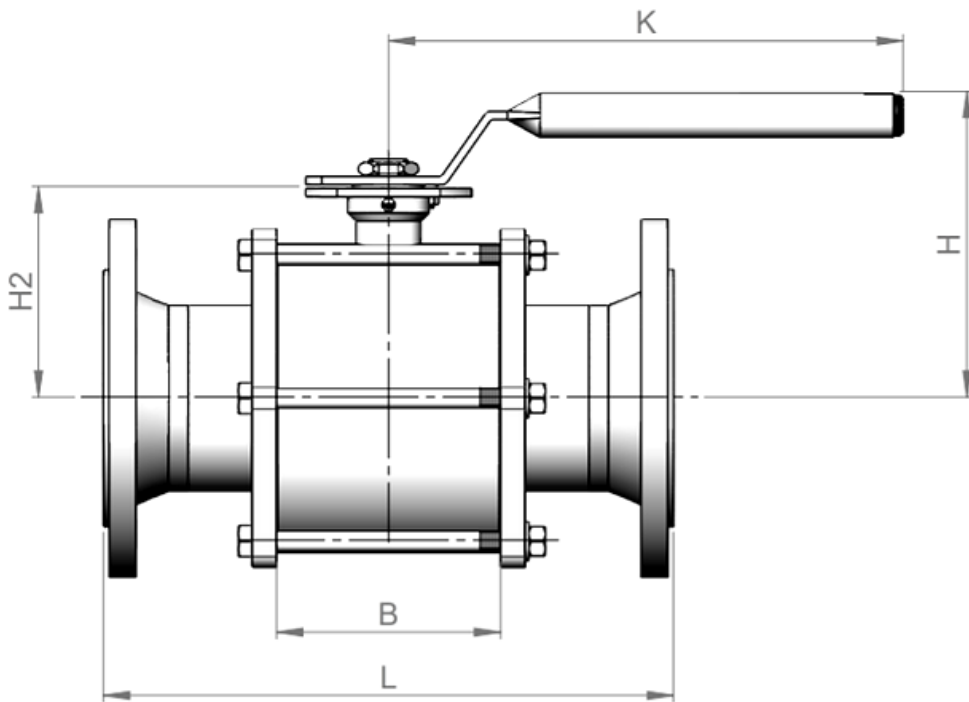


[DOWNLOAD 3D-PICTURES AT MAPER.FI](https://www.maper.fi)

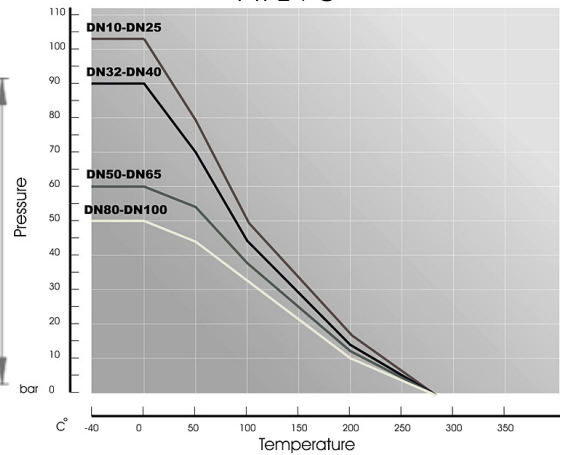
CONTACT US

Kuukuja 12, 33420 Tampere
+358 40 867 3440
myynti@maper.fi
<https://www.maper.fi/en/>

DN 65-100

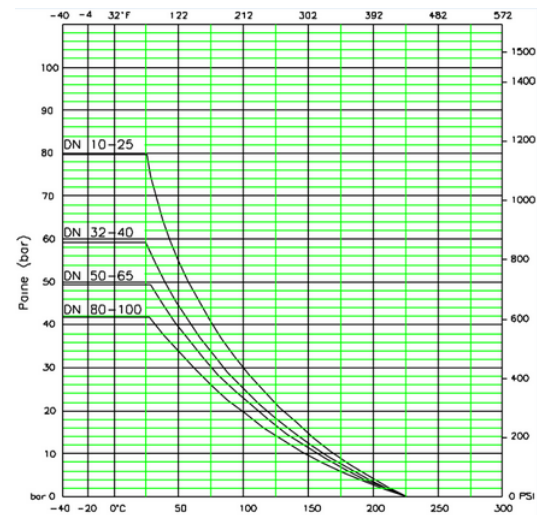


Seat pressure / temperature
PTFE+C



| DN | 65 | 80 | 100 |
|----|---------|---------|---------|
| KG | 14,3 kg | 17,9 kg | 28,4 kg |
| L | 290 | 310 | 350 |
| B | 88,2 | 103 | 137 |
| H | 160 | 170 | 180 |
| H2 | 100 | 109 | 129 |
| K | 266 | 316 | 316 |

Unit: mm



CONTACT US

Kuukuja 12, 33420 Tampere
+358 40 867 3440
myynti@maper.fi
<https://www.maper.fi/en/>

