

MAPER BALL VALVES LONG BUTT WELD END/ THREAD CONNECTION EN 1.4404

PRESSURE RANGE | DN 65-100 PN 16/40
MAX TEMPERATURE | PTFE 200C/PTFE-C 250C

MODEL	HPH/HR-T
DN-AREA	65-100
BODY	AISI316L
BALL/SHAFT	AISI316L
HANDLE	AISI316
HEXAGON NUT	A4-80
SEALING	PTFE/PTFE-C
LOCKABLE	HPH/HR-T / L

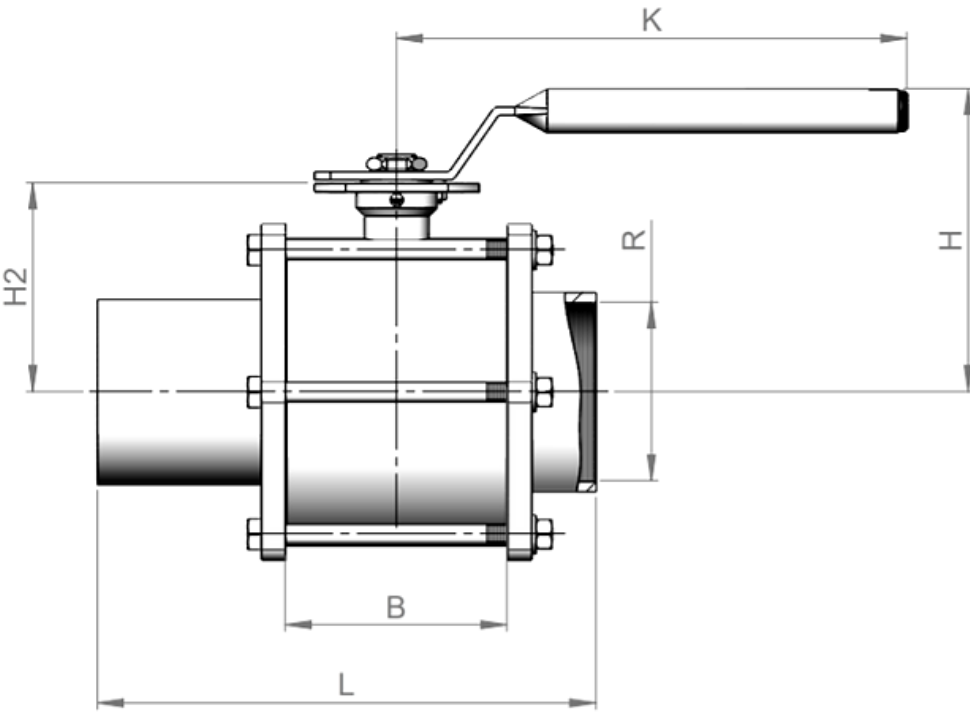


[DOWNLOAD 3D-PICTURES AT MAPER.FI](https://www.maper.fi)

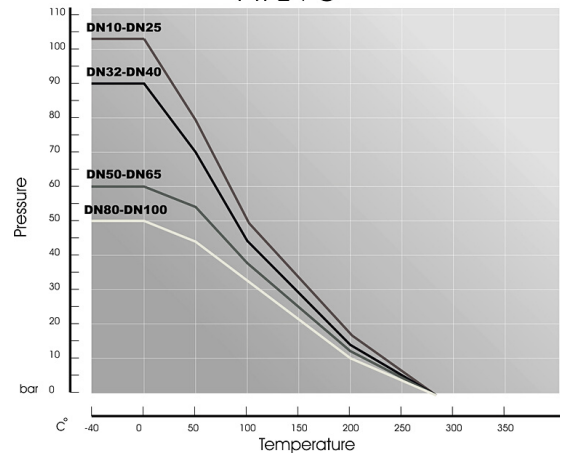
CONTACT US

Kuukuja 12, 33420 Tampere
+358 40 867 3440
myynti@maper.fi
<https://www.maper.fi/en/>

DN 65-100

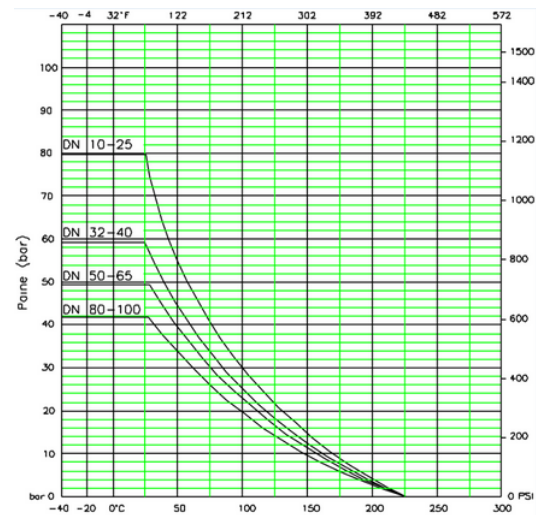


Seat pressure / temperature
PTFE+C



DN	65	80	100
KG	8,9 kg	11,4 kg	20,9 kg
L	232	266	309
B	88,2	103	137
H	160	170	180
H2	100	109	129
K	266	316	316
R	2 1/2"	3"	4"

Unit: mm



CONTACT US

Kuukuja 12, 33420 Tampere
+358 40 867 3440
myynti@maper.fi
<https://www.maper.fi/en/>