

# MAPER BALL VALVES THREAD CONNECTION EN 1.4404

PRESSURE RANGE | DN 65-100 PN 16/40  
MAX TEMPERATURE | PTFE 200C/PTFE-C 250C

MODEL	HR
DN-AREA	65-100
BODY	AISI316L
BALL/SHAFT	AISI316L
HANDLE	AISI316
HEXAGON NUT	A4-80
SEALING	PTFE/PTFE-C
LOCKABLE	HR/L

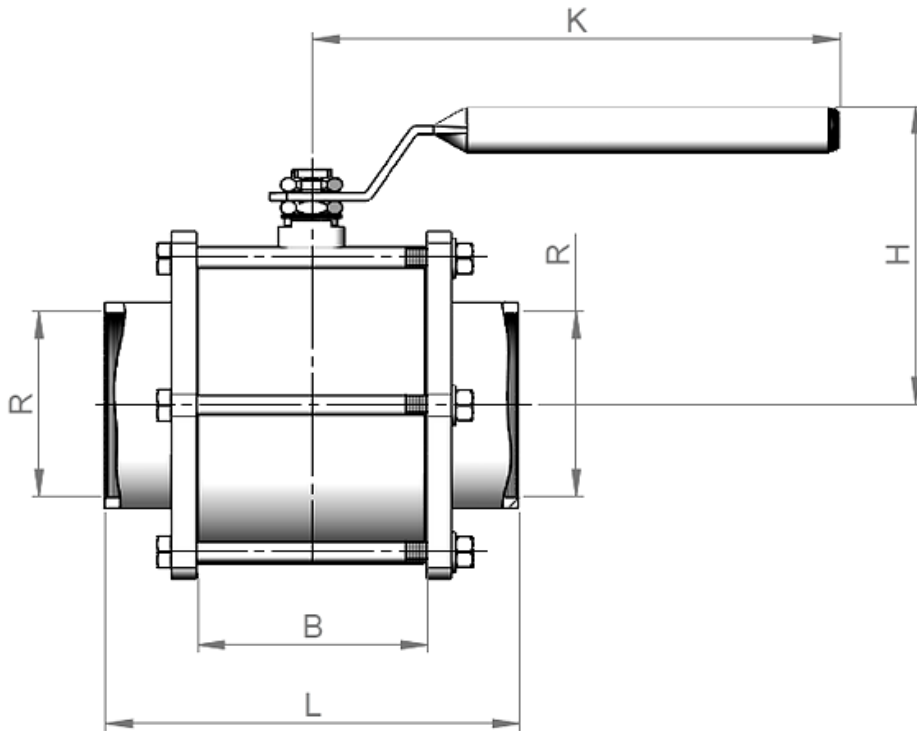


[DOWNLOAD 3D-PICTURES AT MAPER.FI](https://www.maper.fi)

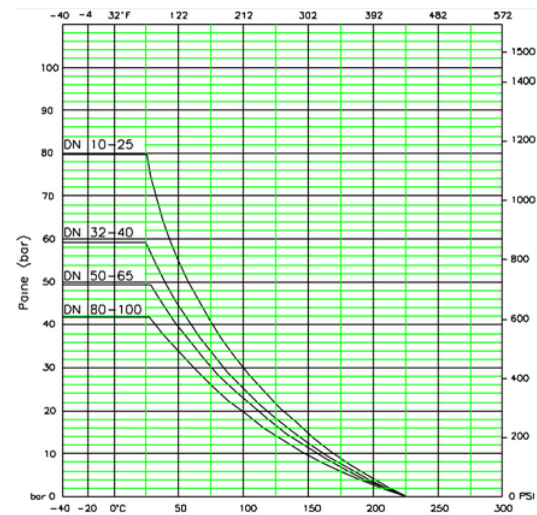
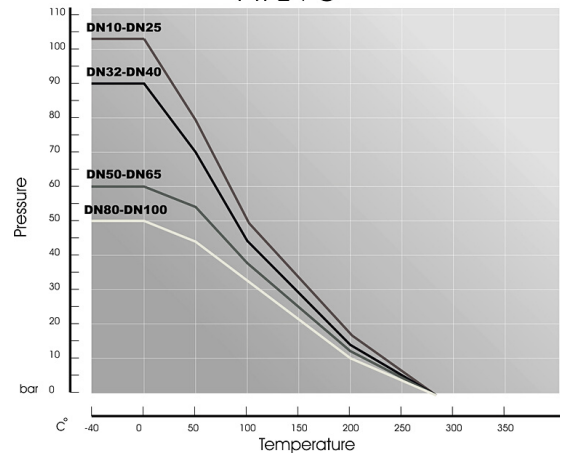
## CONTACT US

Kuukuja 12, 33420 Tampere  
+358 40 867 3440  
myynti@maper.fi  
<https://www.maper.fi/en/>

# DN 65-100



Seat pressure / temperature  
PTFE+C



DN	65	80	100
KG	8,7 kg	11,2 kg	20,8 kg
L	174	201	248
B	88,2	103	137
H	149	158	178
K	266	316	316
R	2 1/2"	3"	4"

Unit: mm

## CONTACT US

Kuukuja 12, 33420 Tampere  
+358 40 867 3440  
myynti@maper.fi  
<https://www.maper.fi/en/>

