

MAPER BALL VALVES FLANGE CONNECTION

PRESSURE RANGE | DN 10-50 PN 16/40
MAX TEMPERATURE | PTFE 200C/PTFE-C 250C

MODEL	TL
DN-AREA	10-50
BODY	AISI316L
BALL/SHAFT	AISI316L
HANDLE	GALVANIZED STEEL
HEXAGON NUT	GALVANIZED STEEL
CONNECTION PART	S3355
SEALING	PTFE/PTFE-C
LOCKABLE	TL/L

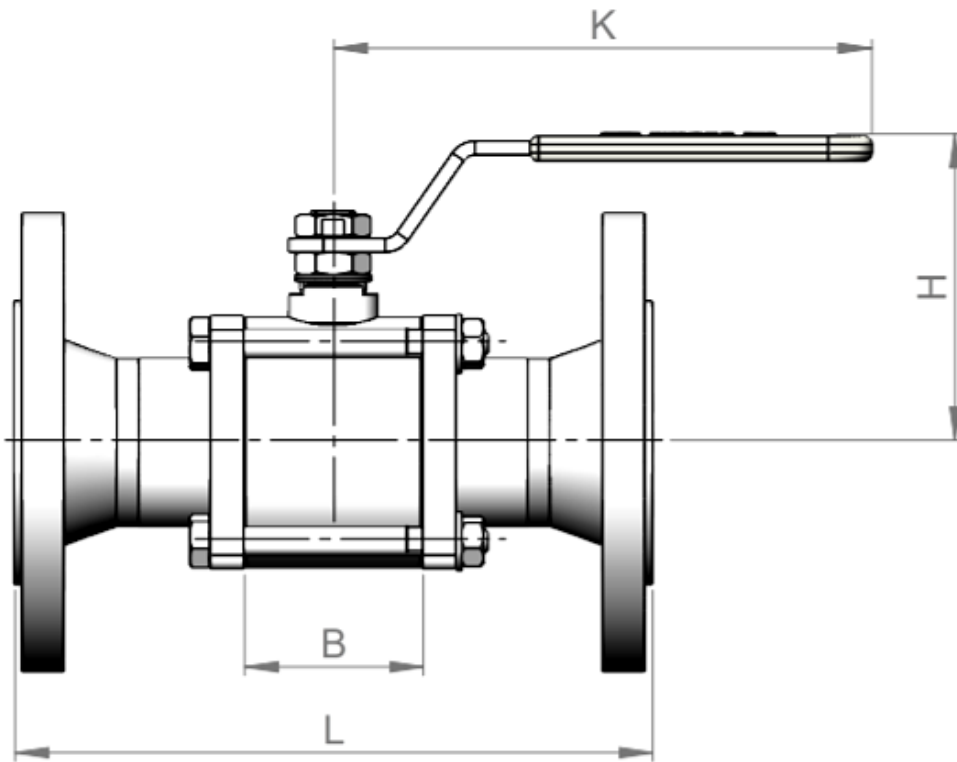


[DOWNLOAD 3D-PICTURES AT MAPER.FI](https://www.maper.fi)

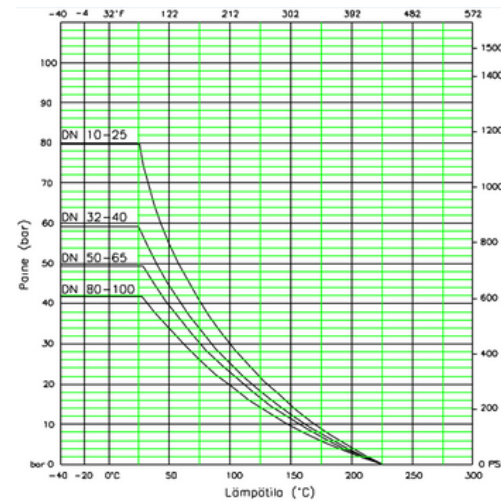
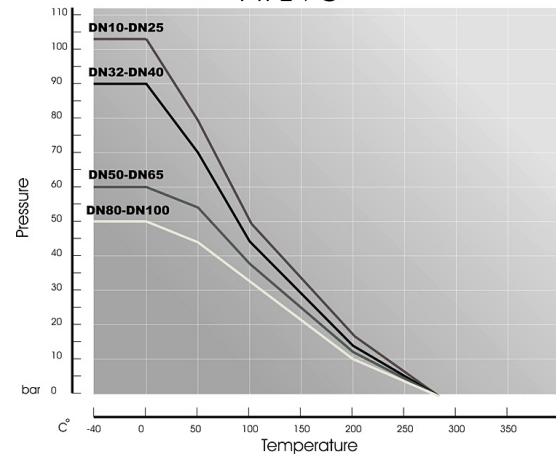
CONTACT US

Kuukuja 12, 33420 Tampere
+358 40 867 3440
myynti@maper.fi
<https://www.maper.fi/en/>

DN 10-50



Seat pressure / temperature
PTFE+C



DN	10	15	20	25	32	40	50
KG	1,8 kg	1,9 kg	2,8 kg	3,5 kg	5,5 kg	6,5 kg	8,6 kg
L	120	130	150	160	180	200	230
B	30,7	30,7	34,1	39,8	48,4	56,0	64,0
H	67	67	72	75	99	104	110
K	158	158	158	158	194	194	194

Unit: mm

CONTACT US

Kuukuja 12, 33420 Tampere
+358 40 867 3440
myynti@maper.fi
<https://www.maper.fi/en/>

