

MAPER BALL VALVES SHORT BUTT WELD END

PRESSURE RANGE | DN 65-100 PN 16/40
MAX TEMPERATURE | PTFE 200C/PTFE-C 250C

MODEL	TLH
DN-AREA	65-100
BODY	S3355
BALL/SHAFT	AISI316L
HANDLE	GALVANIZED STEEL
HEXAGON NUT	GALVANIZED STEEL
CONNECTION PART	S3355
SEALING	PTFE/PTFE-C
LOCKABLE	TLH/L



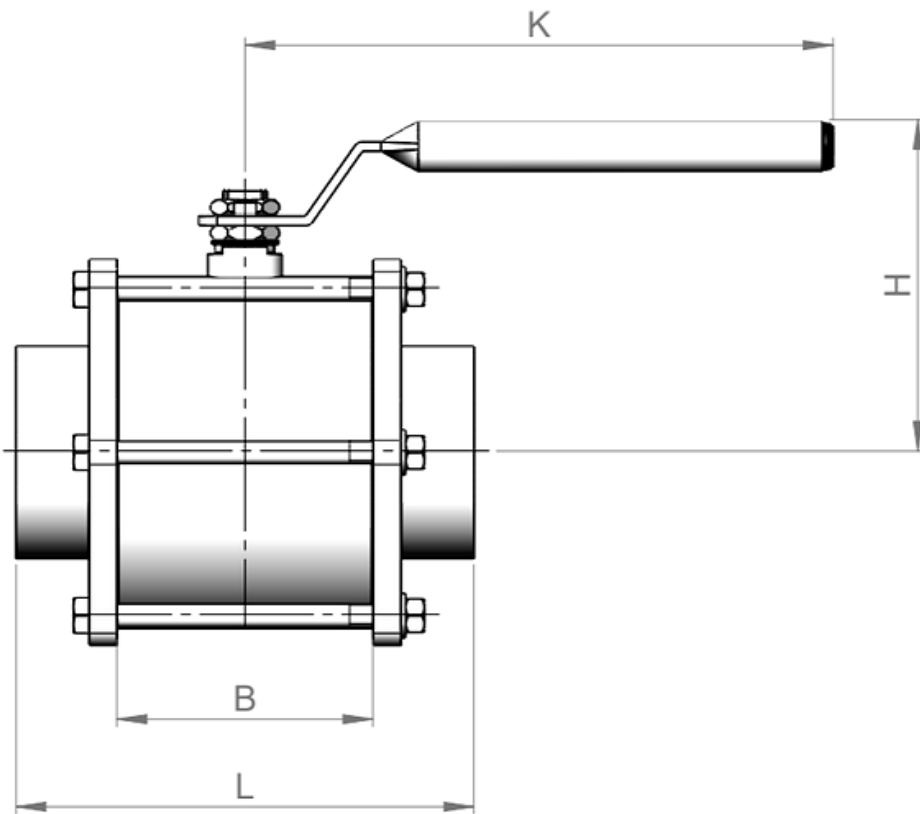
[DOWNLOAD 3D-PICTURES AT MAPER.FI](https://www.maper.fi)

CONTACT US

Kuukuja 12, 33420 Tampere
+358 40 867 3440
myynti@maper.fi
<https://www.maper.fi/en/>



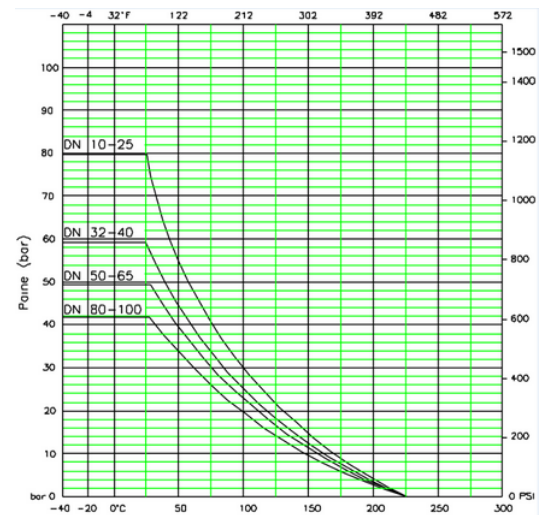
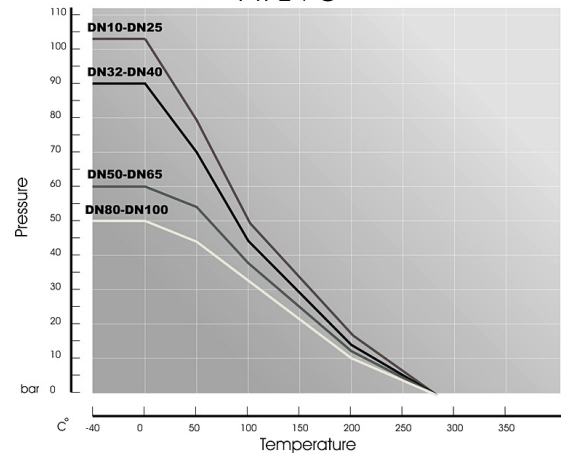
DN 65-100



DN	65	80	100
KG	8,2 kg	10,2 kg	19,2 kg
L	200	210	246
B	88,2	103	137
H	149	158	178
K	266	316	316

Unit: mm

Seat pressure / temperature
PTFE+C



CONTACT US

Kuukuja 12, 33420 Tampere
+358 40 867 3440
myynti@maper.fi
<https://www.maper.fi/en/>

