

# MAPER BALL VALVES LONG BUTT WELD END

PRESSURE RANGE | DN 10-50 PN 40/64  
MAX TEMPERATURE | PTFE 200C/PTFE-C 250C

MODEL	TPH
DN-AREA	10-50
BODY	AISI316L
BALL/SHAFT	AISI316L
HANDLE	GALVANIZED STEEL
HEXAGON NUT	GALVANIZED STEEL
CONNECTION PART	S3355
SEALING	PTFE/PTFE-C
LOCKABLE	TPH/L

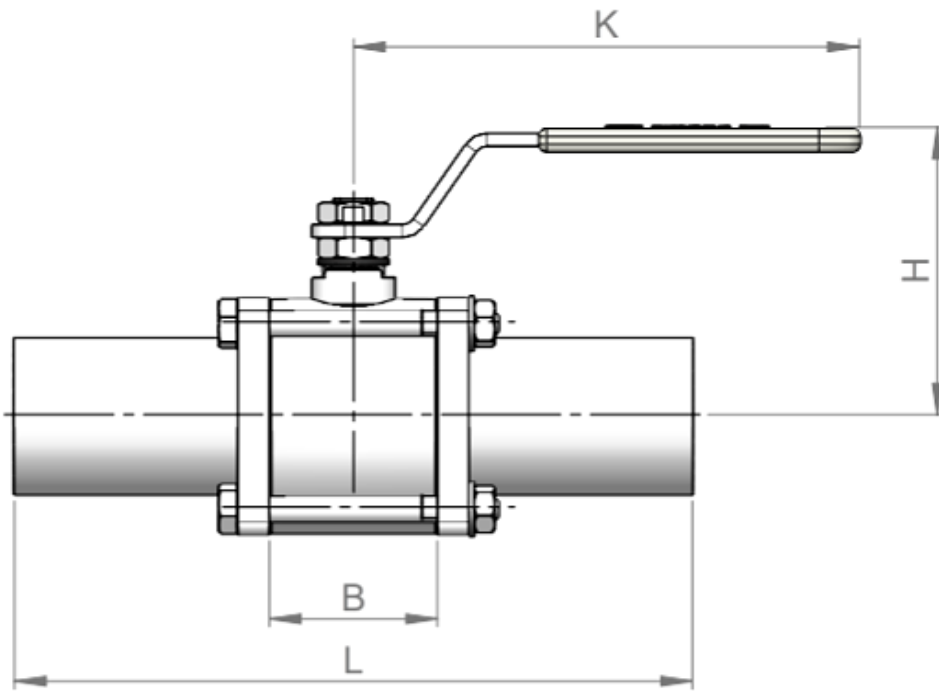


[DOWNLOAD 3D-PICTURES AT MAPER.FI](http://www.maper.fi)

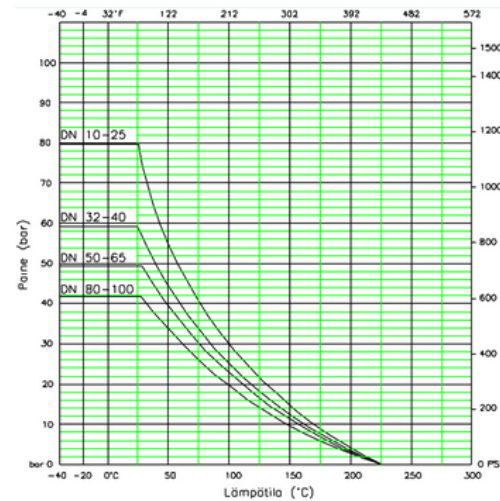
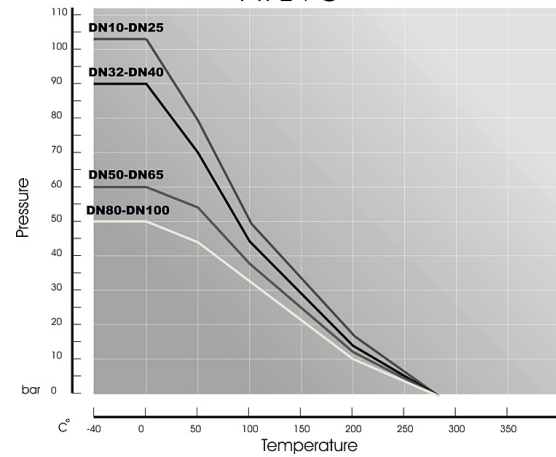
## CONTACT US

Kuukuja 12, 33420 Tampere  
+358 40 867 3440  
myynti@maper.fi  
<https://www.maper.fi/en/>

# DN 10-50



Seat pressure / temperature  
PTFE+C



DN	10	15	20	25	32	40	50
KG	0,7 kg	0,8 kg	1,1 kg	1,5 kg	2,1 kg	2,9 kg	3,5 kg
L	210	210	230	230	230	250	260
B	30,7	30,7	34,1	39,8	48,4	56,0	64,0
H	67	67	72	75	99	104	110
K	158	158	158	158	194	194	194

Unit: mm

## CONTACT US

Kuukuja 12, 33420 Tampere  
+358 40 867 3440  
myynti@maper.fi  
<https://www.maper.fi/en/>

