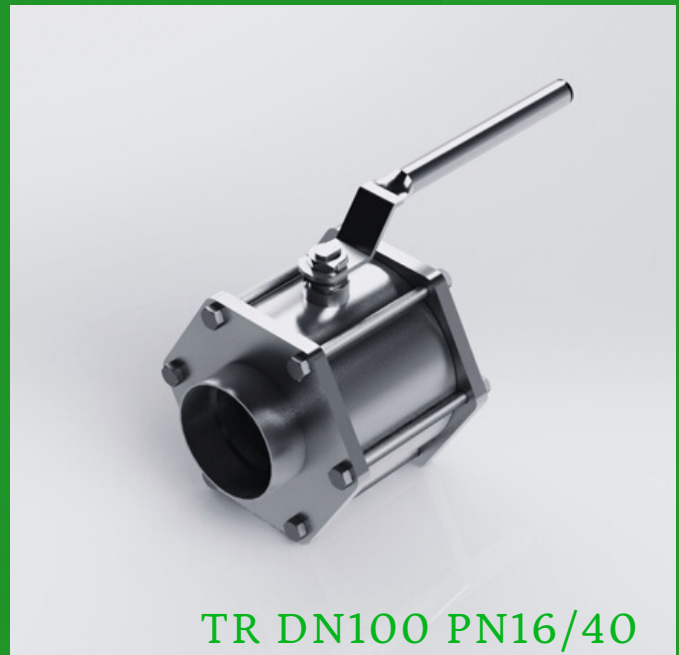


MAPER BALL VALVES THREAD CONNECTION

PRESSURE RANGE | DN 65-100 PN 16/40
MAX TEMPERATURE | PTFE 200C/PTFE-C 250C

MODEL	TR
DN-AREA	65-100
BODY	S3355
BALL/SHAFT	AISI316L
HANDLE	GALVANIZED STEEL
HEXAGON NUT	GALVANIZED STEEL
CONNECTION PART	S3355
SEALING	PTFE/PTFE-C
LOCKABLE	TR/L



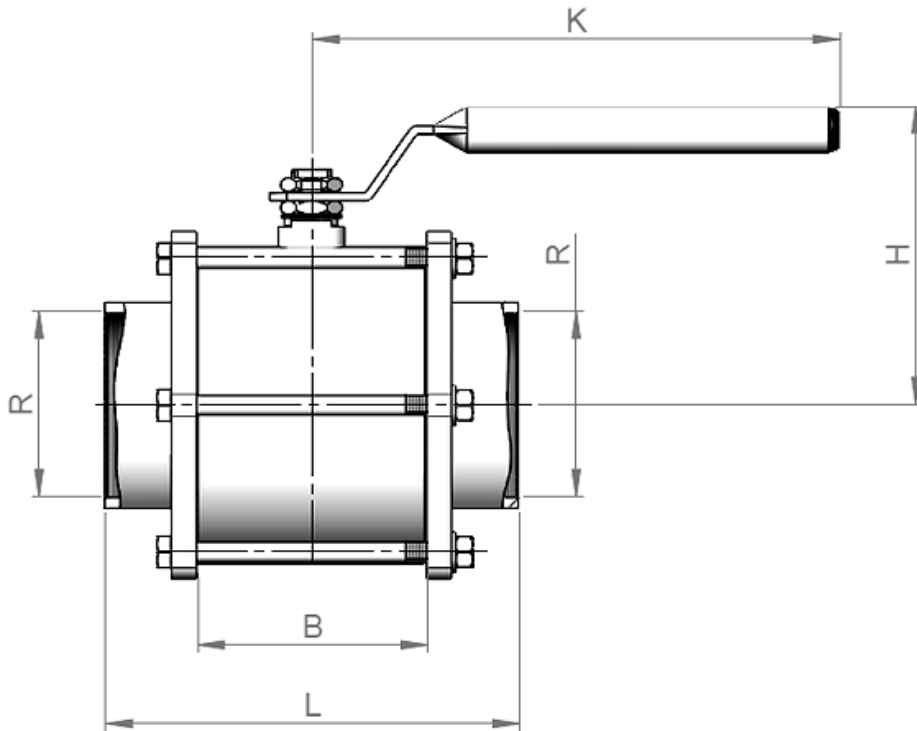
[DOWNLOAD 3D-PICTURES AT MAPER.FI](https://www.maper.fi)

CONTACT US

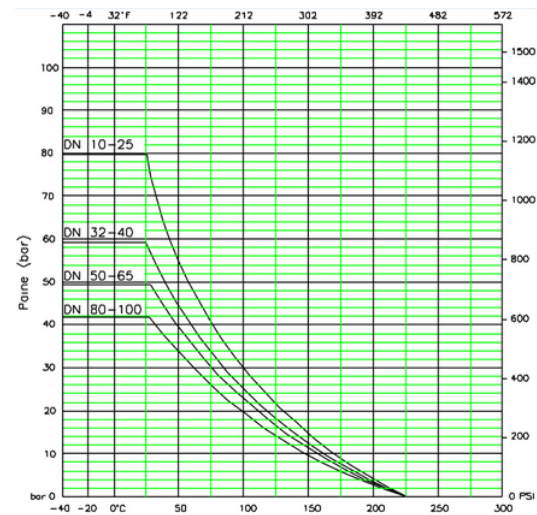
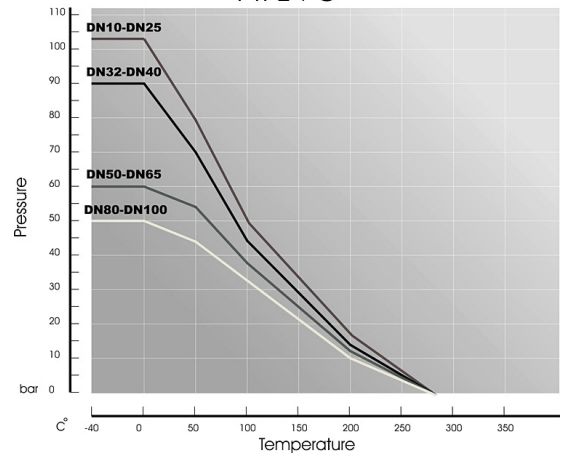
Kuukuja 12, 33420 Tampere
+358 40 867 3440
myynti@maper.fi
<https://www.maper.fi/en/>



DN 65-100



Seat pressure / temperature
PTFE+C



DN	65	80	100
KG	8,7 kg	11,2 kg	20,8 kg
L	174	201	248
B	88,2	103	137
H	149	158	178
K	266	316	316
R	2 1/2"	3"	4"

Unit: mm

CONTACT US

Kuukuja 12, 33420 Tampere
+358 40 867 3440
myynti@maper.fi
<https://www.maper.fi/en/>

